

The Mortice Hook Lock is a unique stainless steel lock that incorporates a latch and deadbolt in one single-action bolt.

- Fits 40mm box section
- Backset 20mm
- Latch & deadbolt in one hook
- Operated with key & handle
- All stainless steel with brass latch
- Tested to 1,000,000 openings

## PRODUCT DETAILS

Product code:

Description:

**05ML4DCO**  
**05ML4FCO**

**Mortice hook lock, dual cover with ornamental handles**

**Mortice hook lock, full cover with ornamental handles**

Kit includes:

Mortice lock, Mortice lock keep, 3 keys, 60mm euro cylinder, pair of ornamental handles, face plate, cover plate(s).



**Code: 05ML4DCO**  
(Dual Cover)



**Code: 05ML4FCO**  
(Full Cover)



Mortice Lock Keep  
(included)



Ornamental handle

## DRILLING TEMPLATE

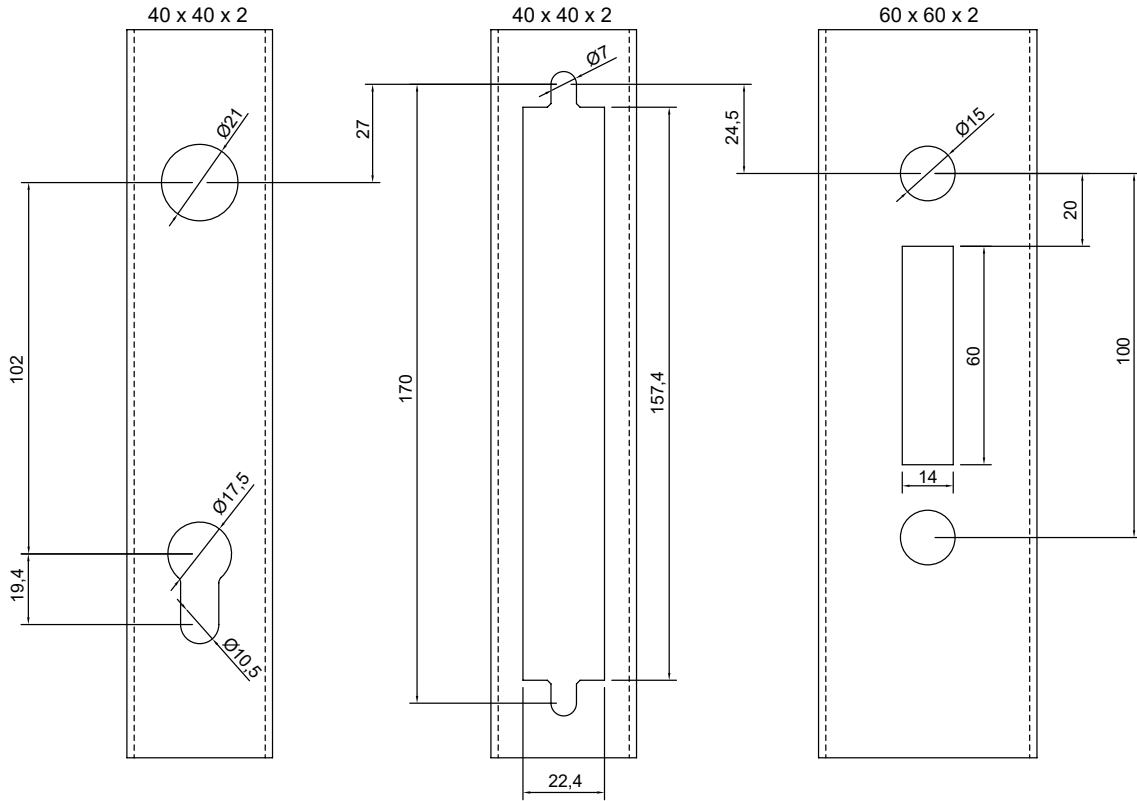
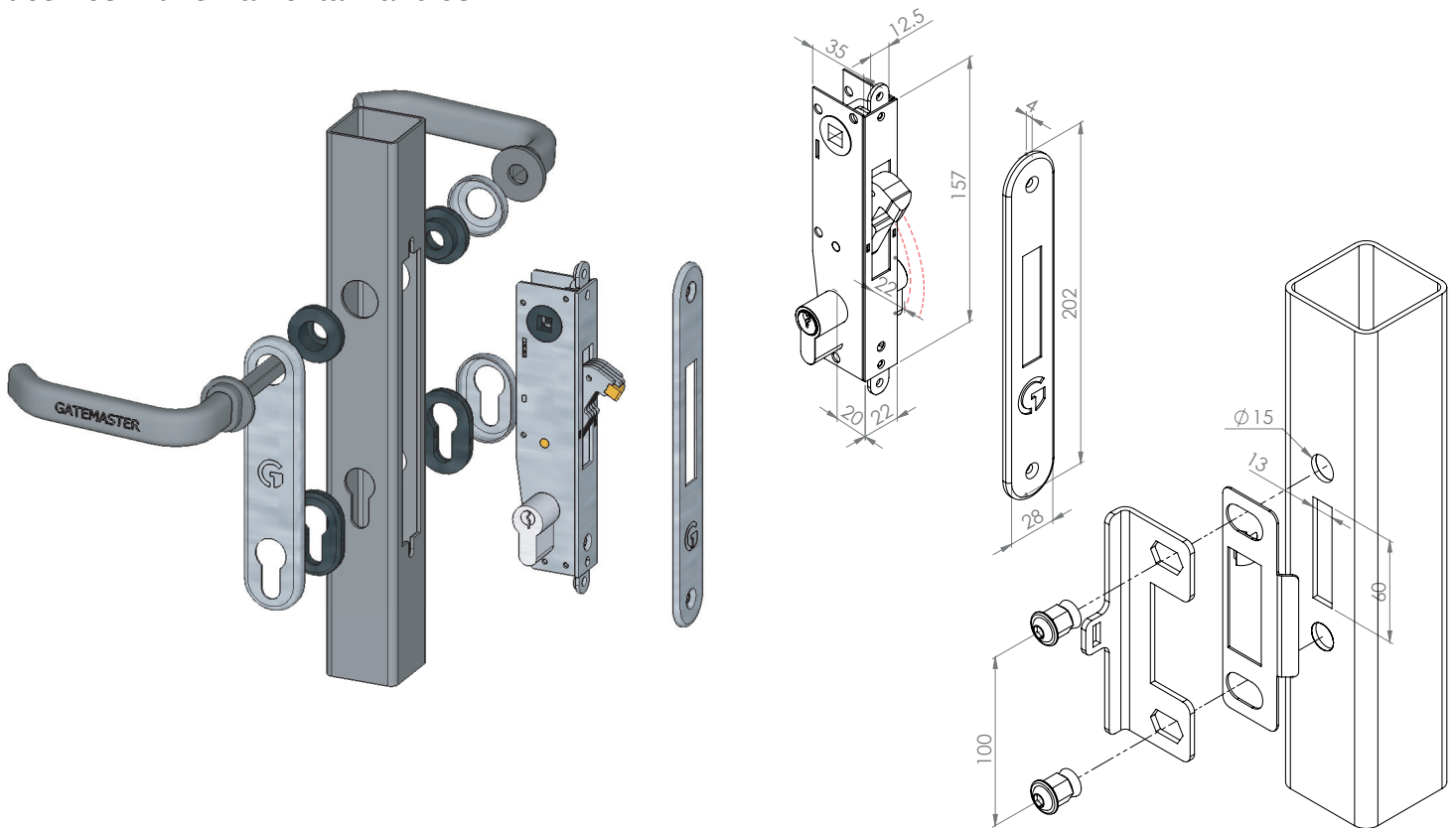


Image for illustration purpose only.  
Kit comes with ornamental handles.



Whilst every effort has been made to ensure the accuracy of the information supplied, F.H. Brundle cannot be held responsible for any errors or omissions. This product must only be employed for its original intended use. Any other use is wrong and potentially dangerous. Installation must be carried out in full compliance with current regulations. F.H. Brundle cannot be held liable for any damages resulting from wrongful, erroneous or negligent use.