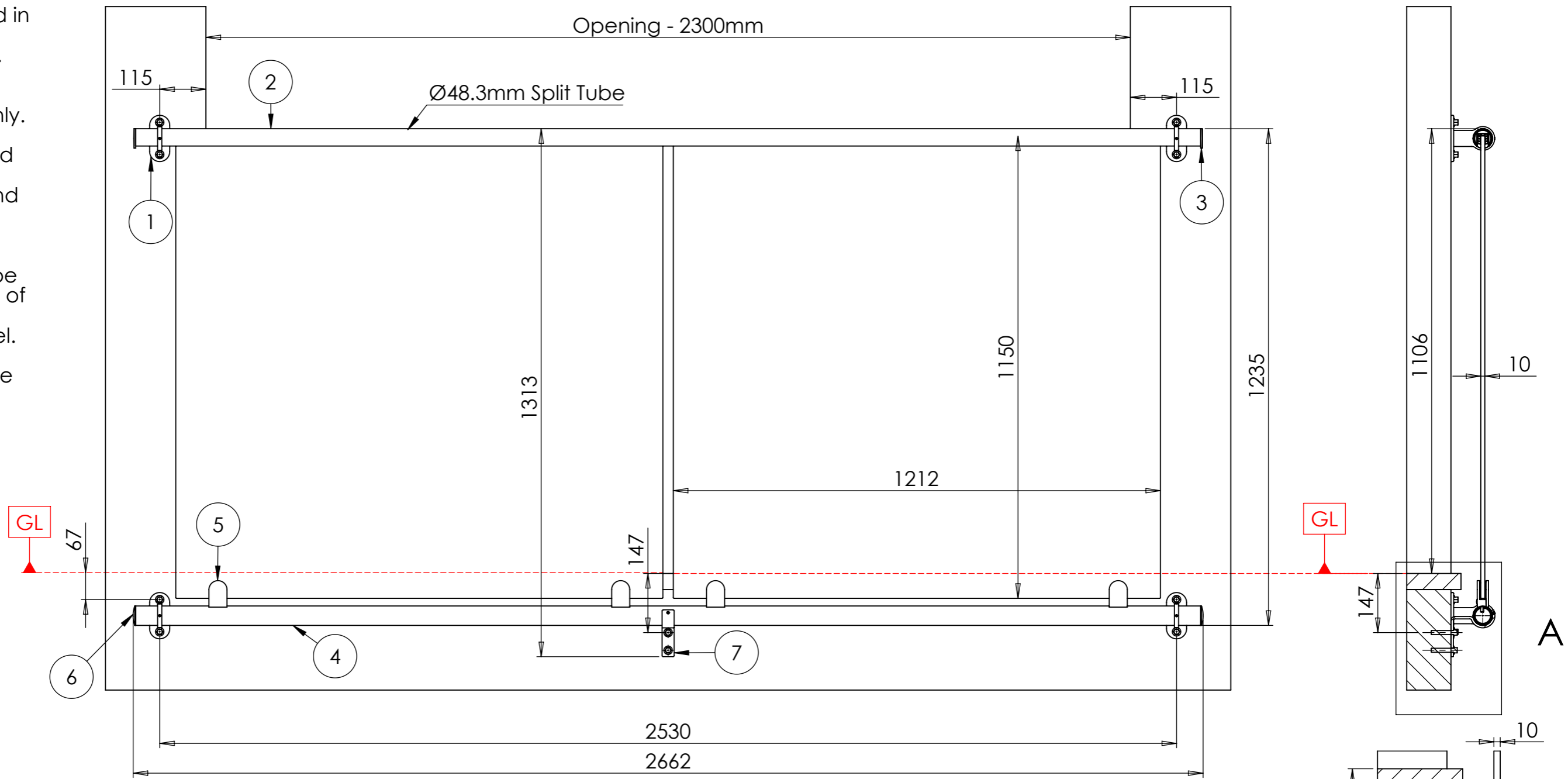
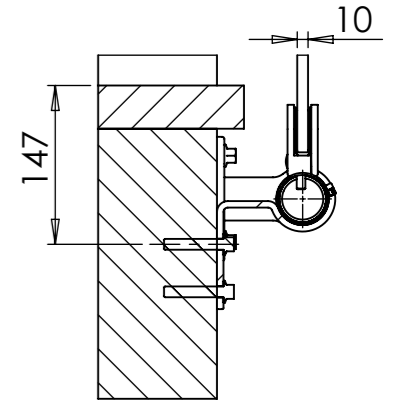


NB:

- Glass is not included in the kit. Has to be ordered separately.
- The kit is suitable for 10mm thick glass only.
- Glass sizes are based on the suggested installation detail and may vary to suit specific opening.
- The top rail should be fitted at a minimum of 1100mm above finished ground level.
- Balcony kit is suitable for M10 Fixings.



DETAIL A
SCALE 1 : 7



18068JBST Parts List:

Item No.	Part Number	Description	Material	Qty
1	1806257D	Wall Bracket, Ø48.3mm Fit, C/W Grub Screw (Ø11mm Fixing Holes)	AISI 316 Stainless	4
2	N/A	Ø48.3mm x 2650mm Split Tube , C/W Gasket	AISI 316 Stainless	1
3	1806413D	Split Tube End Cap, Fits Ø48.3mm.	AISI 316 Stainless	2
4	N/A	Ø48.3mm x 2650mm Tube, Tapped To Fix Glass Clamps	AISI 316 Stainless	1
5	N/A	Round Back Glass Clamp, Fits Ø48.3mm.	AISI 316 Stainless	4
6	1806215D	Raised End Cap, Fits Ø48.3mm.	AISI 316 Stainless	2
7	1806519D	Support Bracket C/W Grub Screw, Fits Ø48.3mm. (Ø10.5mm Fixing Holes)	AISI 316 Stainless	1



Pro-Railing

Tel: 0121 565 8282
Email: prorailing@brundle.com
Web: www.prorailing.co.uk



UNLESS OTHERWISE SPECIFIED
ALL DIMENSIONS ARE IN MILLIMETERS

	NAME	DATE	REVISION
DRAWN	LT	23/11/2017	
CHECKED			

MATERIAL:
AISI 316 Stainless

FINISH:
Polished

GRIT SIZE:
320

WEIGHT: N/A Kg

NOTES:
Customer Drawing Information

DESCRIPTION:
Juliette Balcony Kit For 2.3m (max) opening. Suitable For 10mm Glass Only. Glass Is Not Included.

PART NO:
18068JBST

DWG NO:
N/A

SCALE:1:10

DO NOT SCALE DRAWING

SHEET 1 OF 1

A3